

## Cleaning Device for your band saw blades

The Band Saw operation requires especially enhanced care about tools. Good cleaned band saw blades ensure to reach higher quality of sharpening and subsequently higher reliability and accuracy by cutting on the Band Saw.

**How does it work?** We leave the band saw blades dipped in cleaning emulsion to soak out and then we put them into the Cleaning Device, where they are again soak in emulsion and wiped. The blade movement is ensured due to electromotor, which offers to you save your time and take care more about grinding.

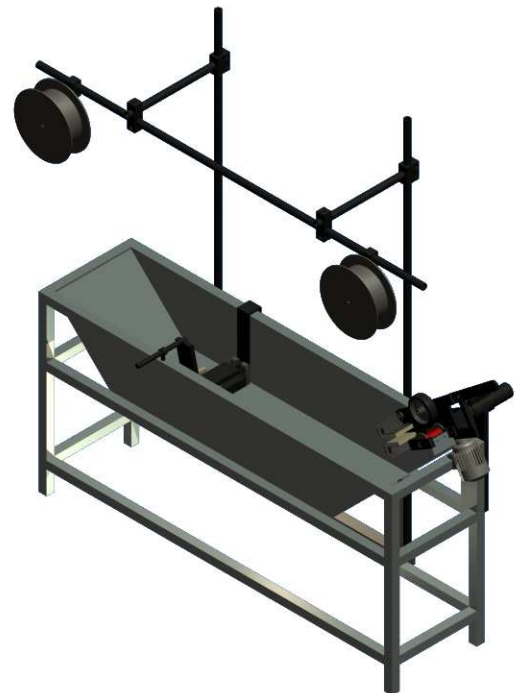
### Features

- easy, quick and comfortable cleaning
- enhanced quality of blades sharpening
- enhanced reliability at cutting
- easy operation

### Technical data

- blade width from 50 up to 80 mm
- blade length up to 7000 mm

We supply soak out tank, cleaning device or complete set !  
Specified dimensions on demand !



Cleaning Device - front view



Cleaning Device - back view



Soak out tank