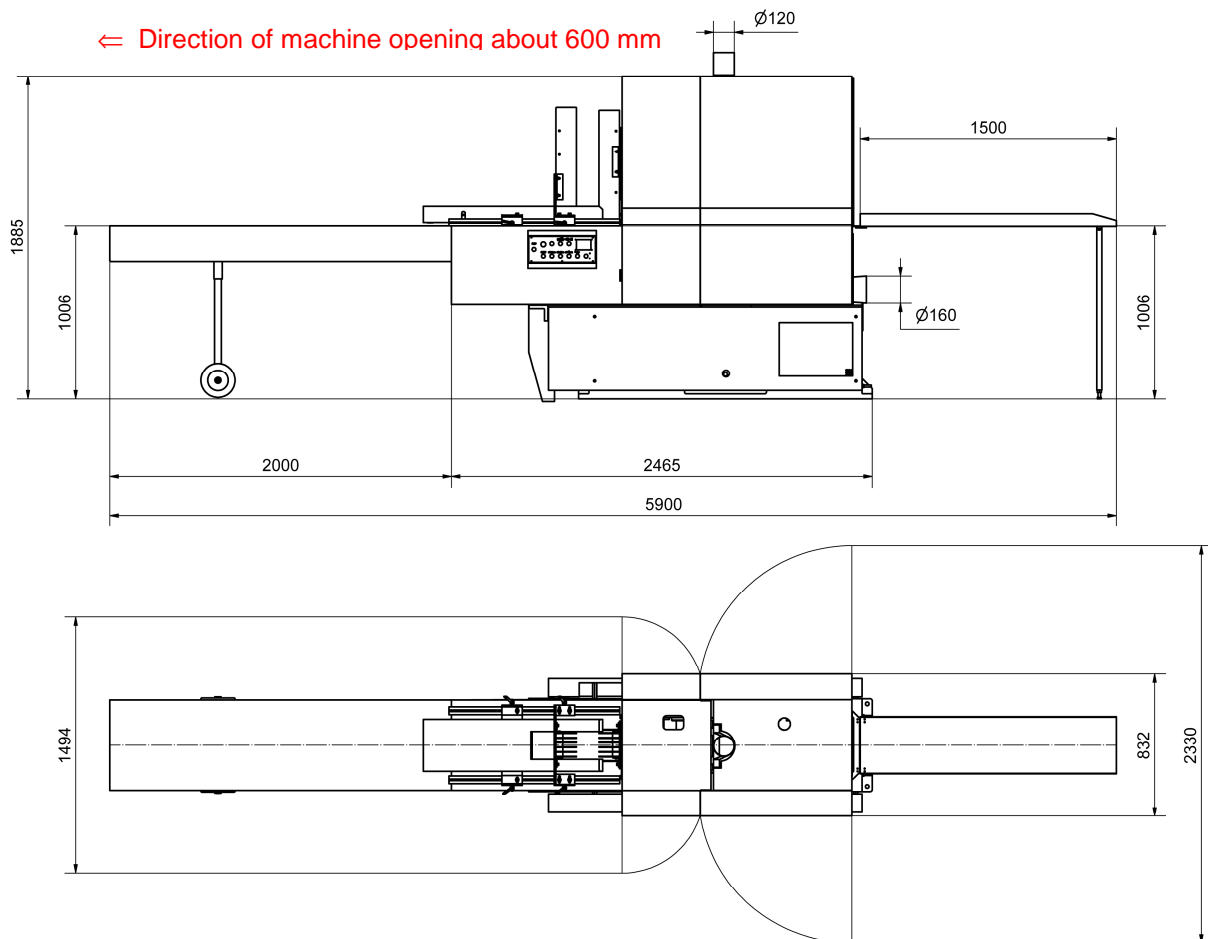


4. Machine dimensions

The machine has got two working stations:

- Working station 1 – the control panel and the in feed of the machine
- Working station 2 – the machine out feed. The operator picks slats and does the sorting.

The space required on either side of the machine depends on the maximum size of the material.



Picture Nr. 3 – Machine dimensions

Recommended:

- **Infeed side** without automatic hopper feeder: **max. material length + 1,3 m**
- Infeed side with automatic hopper feeder: Dimensions of the automatic hopper feeder depend on material length and on kind of hopper feeder design. By the machine installation is necessary to consider that the machine is about 600 mm longer after its opening.
- **Keep the minimal distance 600 mm between opened front part of the machine and surrounding fixed subjects.**
- **Outfeed side: max. Material length +0.5 m.**
- **Min. 600 mm side to side spacing at opened doors.**